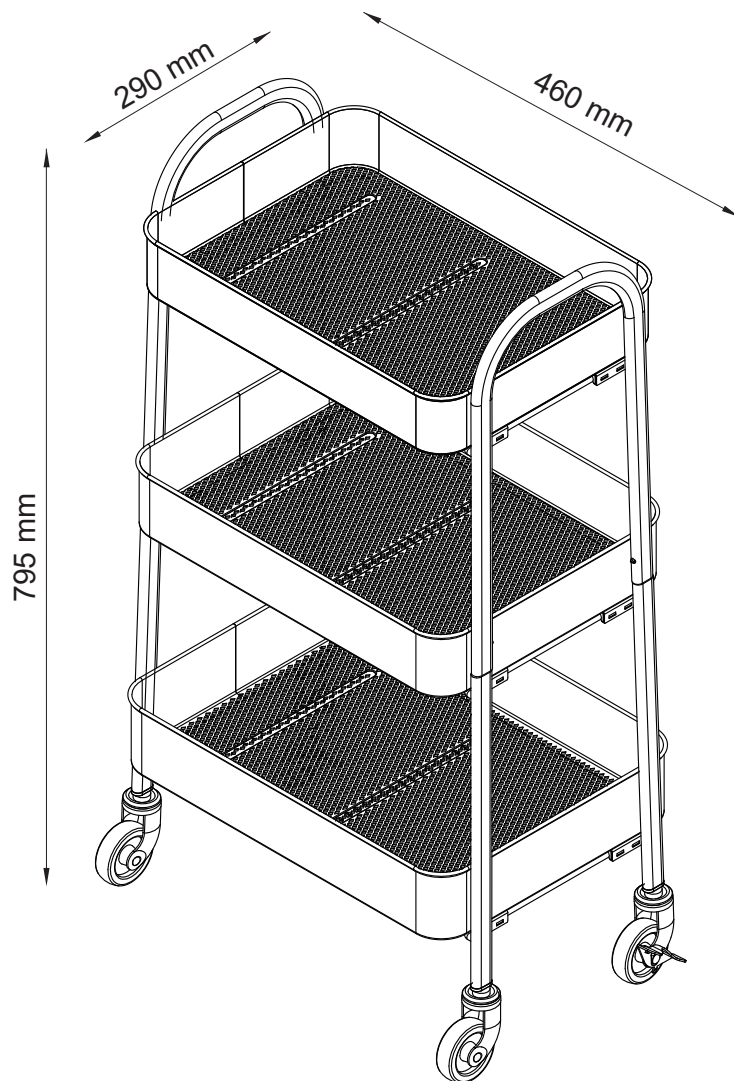


living & co.

EVA 3 TIER METAL TROLLEY



INSTRUCTION MANUAL

The maximum weight of this product can load 10 kgs per basket.

AFTER SALES SUPPORT

  0800 422 274

Important Safety Instructions

RETAIN MANUAL FOR FUTURE REFERENCE. Read all instructions carefully before assembly. Failure to follow these warnings and instructions could result in serious personal injury, damage in the unit or both.

WARNING:

- Distribute weight evenly on all baskets.
- Carefully places items on the baskets. Do not drop or throw items on the baskets.
- Always use caution when installing and moving, please check if the wheel is unlocked when moving the cart.
- All the accessories are not toy, please keep away from children.

Assembly Details

5

mins

Approximate Assembly Time



1 person assembly

Floor Area:

1x1 meters

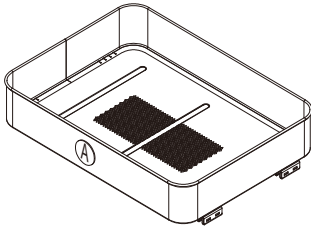
Required Assembly Space

Tips Before you Start

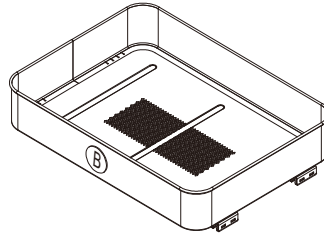
1. Please check that all parts are present before you start the assembly of your furniture.
2. For ease and speed of assembly, we recommend that before you commence each step of the assembly, that you identify all the parts required for that step.
3. For larger items, please ensure that you have sufficient space and people (as indicated on page 2) to assemble your product safely.
4. We recommend that, where possible, all items are assembled near to the area in which they will be placed in use, to avoid moving the product unnecessarily once assembled.
5. For the protection of your furniture, we recommend that the product is placed on a protected surface during assembly to prevent any damage.
6. During assembly please take care not to over-tighten any fittings, as this may damage the product. Do not use power tools.
7. Always place the product on a flat, steady and stable surface.
8. Do not stand on the product. Do not use the product as a stepladder.
9. This product is intended for indoor, household use only as it is a non-industrial product.
10. Please use caution and care when lifting the product to avoid personal injury and/or product damage.

Care and Maintenance

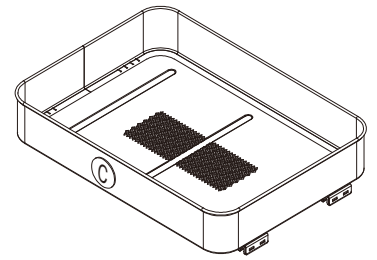
- Please periodically check all fittings and re-tighten as necessary.
- To avoid scratching the product, it is recommended that assembly is carried out on a soft/smooth area.
- The trolley can be cleaned by wiping with a damp cloth and drying with a soft dry cloth.

Part Name

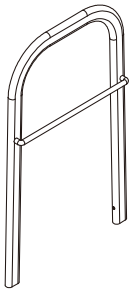
AX1PC



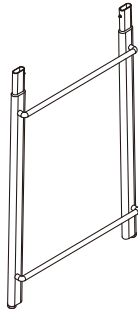
BX1PC



CX1PC



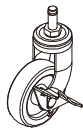
DX2PCS



EX2PCS



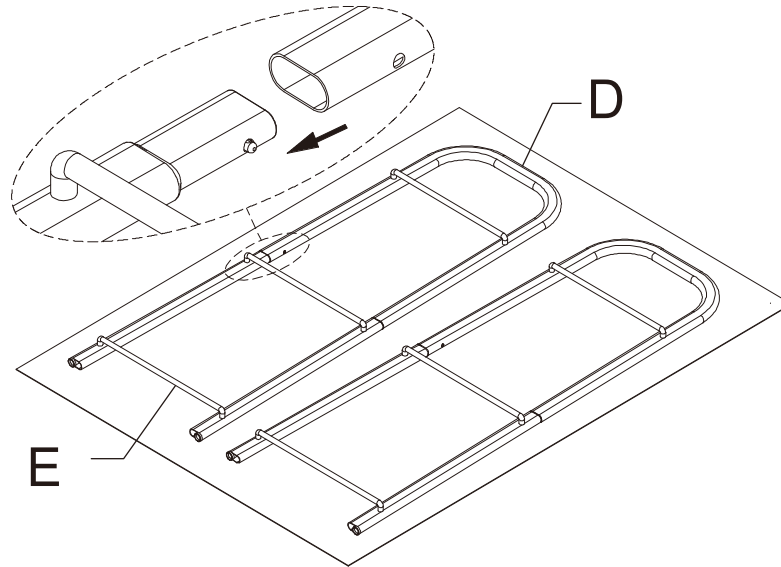
FX2PCS



GX2PCS

Assembly

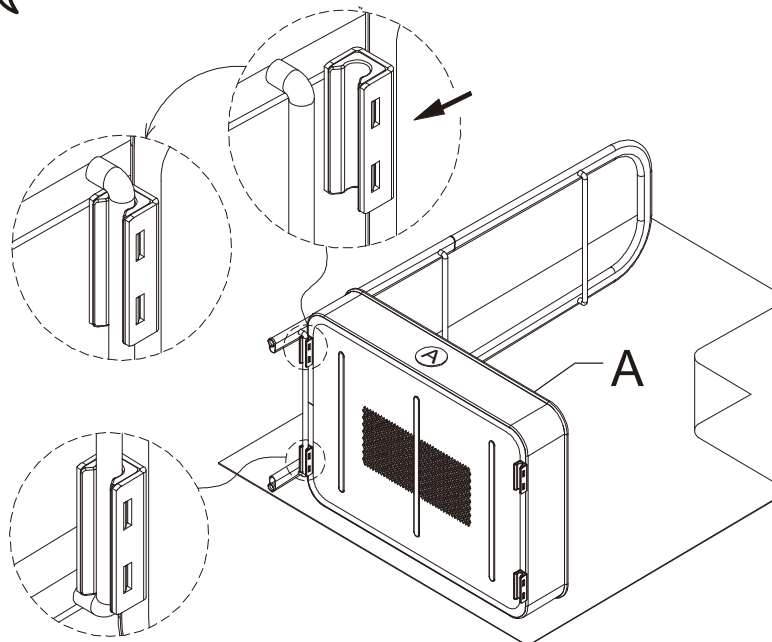
1.



2.



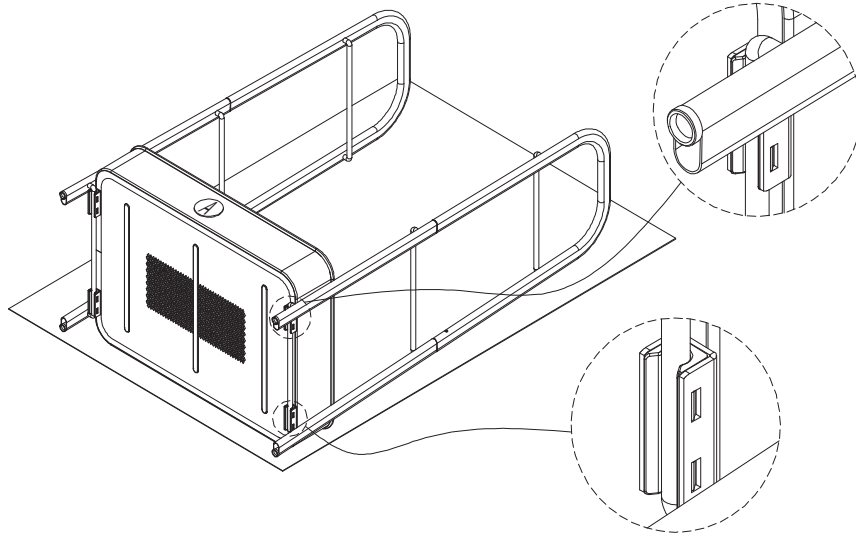
Please ensure to identify each basket number and place in the correct location as per the assembly steps.



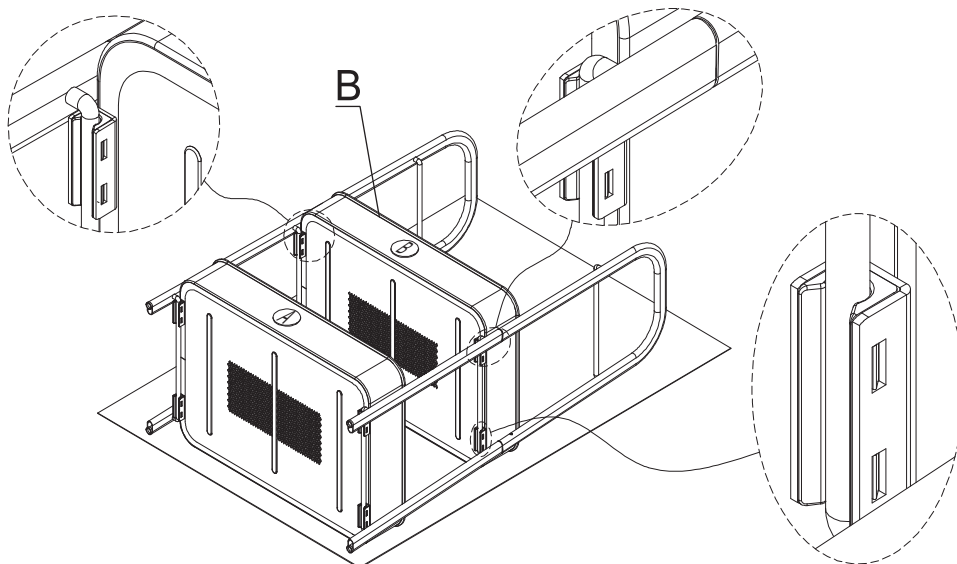
Note: Lay down the cart will be easier for installation.

Assembly

3.

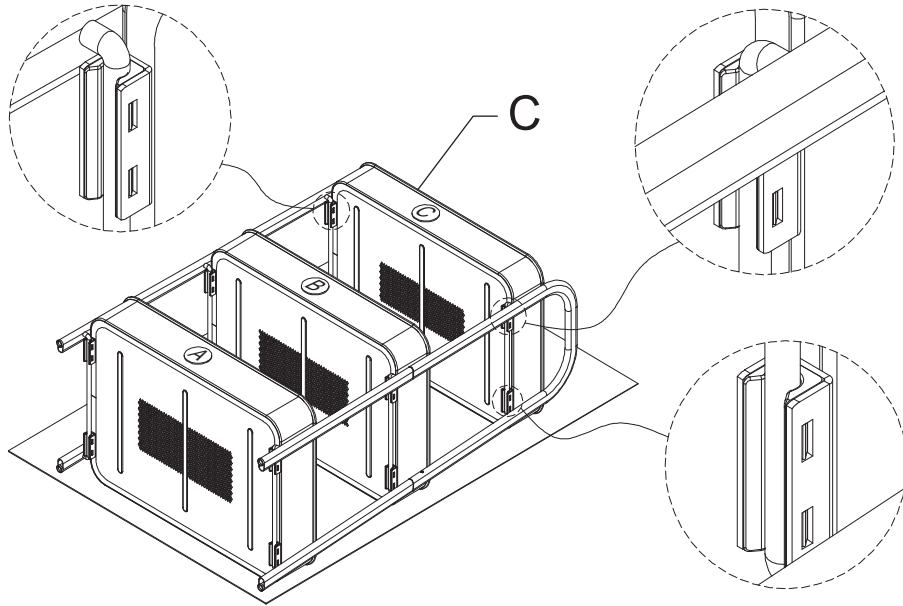


4.

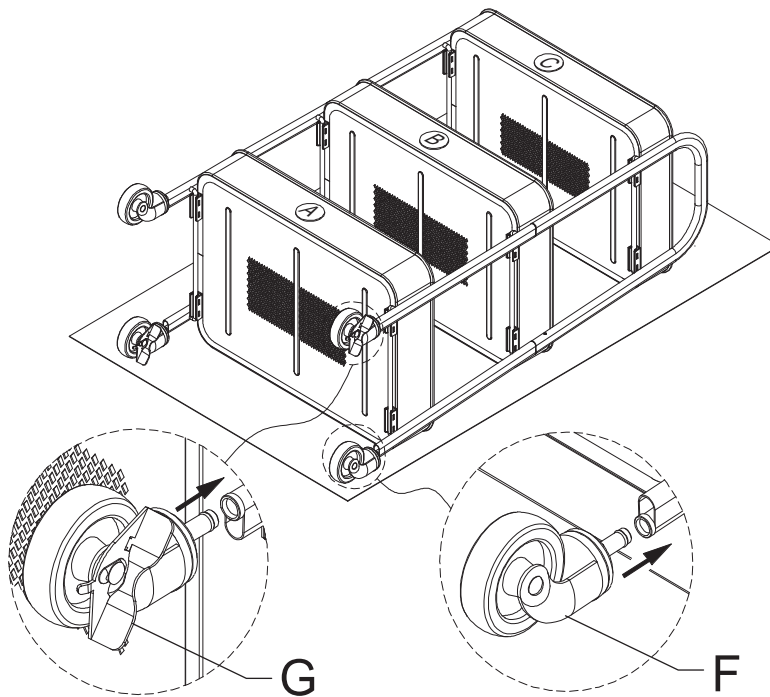


Assembly

5.

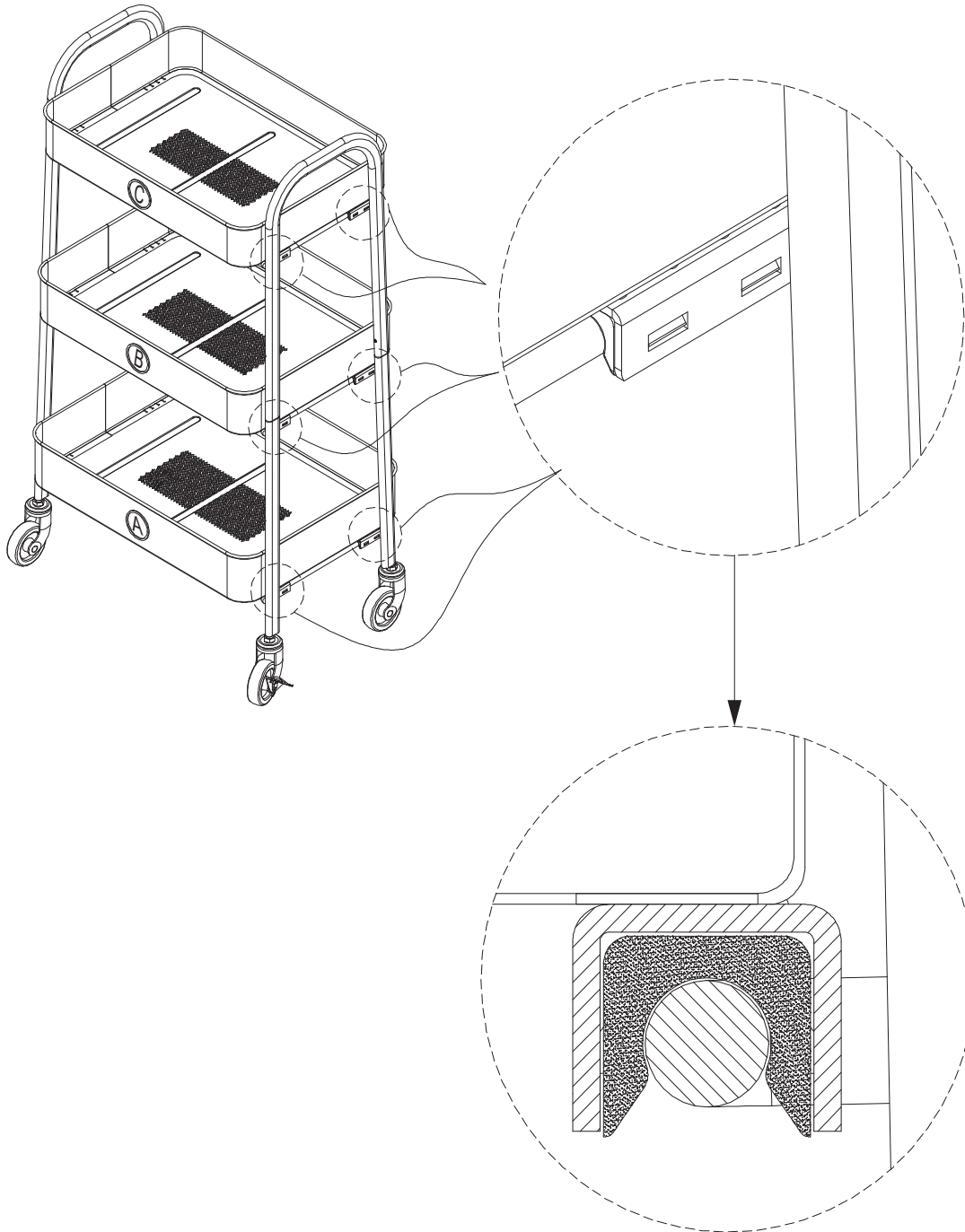


6.



Assembly

7.



Please ensure all baskets are locked and secured prior to use!

AFTER SALES SUPPORT

 **NZ** 0800 422 274



living & co.

Warranty

We pride ourselves on producing a range of quality products that are both packed with features and completely reliable. We are so confident in our products, we back them up with a one-year warranty. Now you too can relax knowing that you are covered.

Customer Helpline NZ: 0800 422 274
This product is covered by 1 year warranty when accompanied by proof of purchase.

AFTER SALES SUPPORT

  **0800 422 274**